





# IMEM Group

**IMEM Lifts is one of Europe's leading lift groups with a well-established reputation for quality and reliability.**

IMEM Lifts has almost 50 years' professional experience as a lift designer and manufacturer. Our clients and collaborators include lift companies both

large and small, architects and consultants, with the straightforward aim of providing lift professionals with vertical transport solutions of high added-value: lifts which are easy to install and maintain, reliable and long-lasting with competitive pricing and specification.



# Who we are

**Global Lift Equipment (GLE)** is a company of the **IMEM Group** founded in 1999 and specialized in supplying lifts manufactured under the Machine Directive 2006/42/EC on a global scale.

GLE offers a wide range of elevators with a high degree of specialization, engineering and innovation, working for companies and professionals from the five continents in the lift sector.

Elevators for the exclusive transport of **merchandise with or without attendants.**

**Bespoke heavy-duty lifts for cargo or passengers** in electric or hydraulic versions available in a wide range of loads, sizes and speeds.

**Home lifts** for residential or commercial use.

GLE not only offers outstanding design and manufacturing services for a wide range of highly specialized elevators, but also **a multilingual technical support service both in pre and post sales phases** of the highest standards available in the market.





## A global operator

More than twenty years of experience working in 65 countries on five continents, a team of skilled professionals with deep knowledge of international trade and a complete range of solutions capable of solving the most complex vertical transport needs makes us a global operator in the elevation sector.

### Market knowledge

We work with lift companies and their consultants as well as with other professional clients of all sizes and nationalities. Thousands of our elevators are installed and operational worldwide.

### Multi-language documentation

We supply our elevators manufactured under the main European and international standards. We deliver all our documentation and certificates always in the customer's language.

### Optimized logistics

We ship our elevators worldwide. We offer our customers multiple shipping options optimized for every need.

# Meet our team

## Sales



**JESÚS ALONSO**

*Director*

alonso@gle.com.es



**TOM BROOKSBANK**

*Key Account Manager*

tom@gle.com.es

Tel. (+44) 07745 742 342



**KAREN SIMÓN**

*Area Sales Manager*

*(Europe / Spain)*

k.simon@gle.com.es

Tel. (+34) 673 282 223



**ANNA CHYNYAYEVA**

*Area Sales Manager*

*(Russia / Ukraine)*

ania@gle.com.es

Tel. (+34) 678 387 503



**VIRGINIA GORDO**

*Logistics and components*

virginia.gm@gle.com.es

Tel. (+34) 942 354 214



## Technical support

Our Technical Support team can offer great advice to each and every query or comment.

Please do not hesitate to contact us should you have any need for further clarification or excellent technical support:

### Mechanical

**Technician: Javier Álvaro**

j.alvaro@gle.com.es

Tel. (+34) 942 354 820



### Mechanical

**Technician: Marcos Estébanez**

m.estebanez@gle.com.es

Tel. (+34) 942 354 820



### Electrical

**Technician: Fernando Peña**

f.pena@gle.com.es

Tel. (+34) 942 354 819



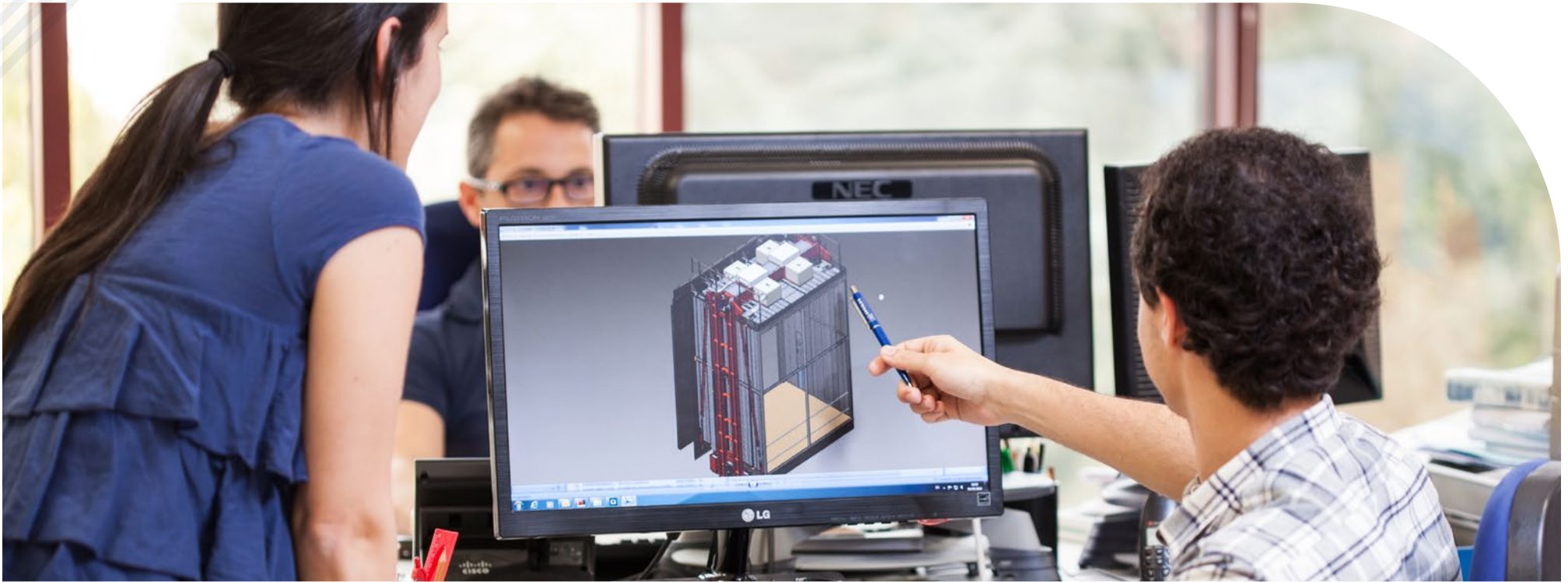
### Electrical

**Technician: Vicente Durán**

v.duran@gle.com.es

Tel. (+34) 942 354 819





## R&D

**Innovation and the development of new solutions is an essential part of our activity, which we always undertake by using our own tools, technology and people.**

Our central focus is the design and delivery of lift systems fine-tuned to the specific needs and requirements of property owners and managers. We work closely with their appointed consultants and provide them with the best possible advice, support and tools -including comprehensive customized technical drawings, visuals and 3D projections.

Our R&D engineers and Export Department staff are dedicated to providing the best possible advice in order to arrive at the most effective solution for each project, in full compliance with all the relevant standards and regulations, and to ensuring that the lift system is delivered on-time, on-budget and fulfils the highest standards of safety, performance, appearance, efficiency and technical specification.

# Goods-only lifts



**Rhinolift®** is a goods lift of up to 2000kg rated load, specially designed for use in buildings with high turnover and movement of goods between floors - such as shopping centres, department stores, supermarkets and industrial installations...

**Rhinolift®** is a sophisticated and reliable high-performance machine, far superior to the standard platforms and goods lifts on offer.



# Goods lift with attendant



**RhinoLift Pro<sup>©</sup>** is a specialist goods lift of up to 2000kg rated load specifically oriented to allow one or two competent attendants to accompany the freight safely and easily.

Our goods lifts represent a major step forward from conventional platforms. They are very sturdy, very reliable and very long-lasting, and guarantee the safe and precise delivery of your goods to their desired destination.

The **RhinoLift Pro<sup>©</sup>** has all the advantages of the original **RhinoLift** plus some improvements specifically oriented to make it the absolutely best good lifts with attendant of the market.





# Bespoke heavy-duty lifts

We are proud of being designers and manufacturers of passenger and cargo lifts used in well-known store chains, shopping centres, retailers and industrial premises all over the world.

Our large capacity lifts both electric or hydraulic and are designed for the transportation of heavy goods up to several tons in weight, with or without accompanying personnel and are very robust and hard-wearing.

Our heavy duty lifts are highly adaptable to specific environments and functions.

- **Walls.** Different robust steel finishes for heavy usage with structural reinforcements.
- **Floors.** Heavy duty vinyl, aluminium chequer plate, steel...
- **Skirting.** Stainless steel, chequer plate and other options available on request.
- **Car protections.** Buffer rails for lower and medium level part of car walls made out of wood or stainless steel.
- **Stainless steel handrails.**
- A **wide range of landing signalisation** available on request.
- Fully **automatic or manual heavy duty doors** (shutter gates)



# Home lifts



## Impro.LIFT

**ImproLift** is a hydraulic lift specially designed for passenger transport in family homes, which usually have very limited space available for lift installation. Its competitive sizing and significant advantages over the competition make ImproLift the stand-out solution for family homes.

**ImproLift** travels inside its own modular freestanding structure which can be supplied in a wide choice of colors or finished with glazed walls by request.

**ImproLift** can installed both indoors or outdoors.



# Home lifts with automatic doors



Impro.LIFT PLUS

**Impro Lift Plus** is a stylish lift system with automatic car and landing doors, specially designed for smooth passenger transport in residential and commercial premises even where the space available for lift installation is limited and at a premium.

The **ImproLift Plus** can be installed within a masonry-built lift shaft as well as within its own self-supporting modular structure.

The **ImproLift Plus** can be installed both indoors or outdoors.





**GLE**

Global Lift Equipment

## Cases studies

# V&A Museum

On September 2014 one of our best clients presented us a new challenge, which was to supply a hydraulic 10.650kg arts lift for one of the most important museums in the world, The Victoria&Albert Museum in Knightsbridge, London.

- The 10,650kg lift travels at 0.5m/s, serves 4 floors and 16.4m.
- Bucher 3-phase telescopic piston hydraulic equipment.
- The car is 6,600 (w) X 3,000 (d) X 3,500 (h) mm.
- The doors are 5,615 (w) X 3,100 (h) mm Bolton shutter gates.

After it was carefully designed, the overall manufacture took 12 weeks and the result is a top quality equipment, ready to safely transport large art pieces for the world to see.

Building refurbishment was finished in summer of 2017 and lift was in service for "beneficial use" during the works.



# The lift systems

## LIFT TYPE

Special Hydraulic direct acting 4 pistons

## ROPING RATIO

Direct acting

## LOAD CAPACITY

10650 KG

## TRAVEL DISTANCE

16400 mm

## NUMBER OF STOPS

4

## SPEED

0.5 m/s

## LIFT CAR

- Made to measure in accordance with architect's instructions.
- Single entrance.
- Reinforced car with galvanized panels.
- Car dimensions: 6600X3000X3500 mm.
- Panels: Powder coated reinforced steel.
- Cops pushes: SCHINDLER type.
- Safety edge: N/A.
- Reinforced floor heavy duty stainless steel.
- Vandal resistant lighting with emergency backup 4 hours.
- The car is equip with 2 COPs.
- Car Bolton Shutter Gate 5615x3100 mm.

## LIFT CAR FRAME

- The car frame is built of high-resistance steel, resulting in easier installation, reducing the system's static load and making it extremely robust and sturdy.
- This type of support frame is particularly effective with a 1:1 roping ratio and, in line with European standards, is equipped with progressive safety gear.

### Technical characteristics:

- (P + Q) max. = 22650 KG
- Max. speed = 0.5 metre/second.
- Max. passenger load = 149 persons.
- Max duty load = 10650 KG

## LIFT CAR GUIDE RAILS

- Maker: SAVERA
- Type: T140-2/B

## HYDRAULIC

- Maker: BUCHER HYDRAULICS
- Number of pistons: 4
- Number of power units: 2
- Power: 48.9 KW
- Starting current (SS): 119 A
- Running current: 85 A
- radiated thermal output: 13.20 KW

## LANDING DOORS

- Maker: BOLTON
- Type: Shutter gate
- Clear opening: 5615X3000 MM
- Tracks: Reinforced steel

## LIFT CAR DOORS

- Maker: BOLTON
- Type: Shutter gate
- Clear opening: 5615X3000 MM
- Tracks: Reinforced steel

## BUFFERS

- Maker: ACLA
- Model: 300.414
- Number: 4
- Max. strength: 20 KN

## PAWL DEVICE

Yes

## RUPTURE VALVE

BUCHER LRV 701 1000-1001

## UCM DEVICE

BUCHER DSV 700-A3

## VOLTAGE

415 VAC 50HZ

## SHAFT LIGHTING VOLTAGE

220 VAC 50HZ

## CONTROL SYSTEM

Altamira II model, with distributed modular electronics and state-of-the-art CAN bus networking.

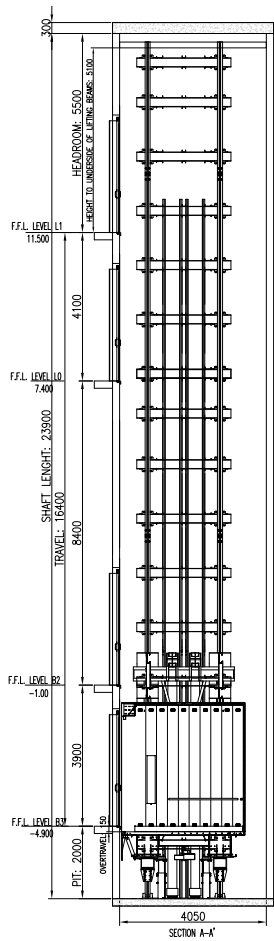
### Basic characteristics of control system

- Single-lift control system, up and down collective.
- Four stops.
- Direct approach system with variable-frequency control.
- Includes phase failure relay and temperature control.
- Control of motor temperature.
- Intelligent control of lift car speed curve.
- On-line monitoring 24 hours/day.
- RS485 computer communication port.
- Special control system for loading and unloading artworks.
- Special lift-car control system using contactless smart cards for:
  - Independent service.
  - Out of service placement.
  - Cancellation of stops.

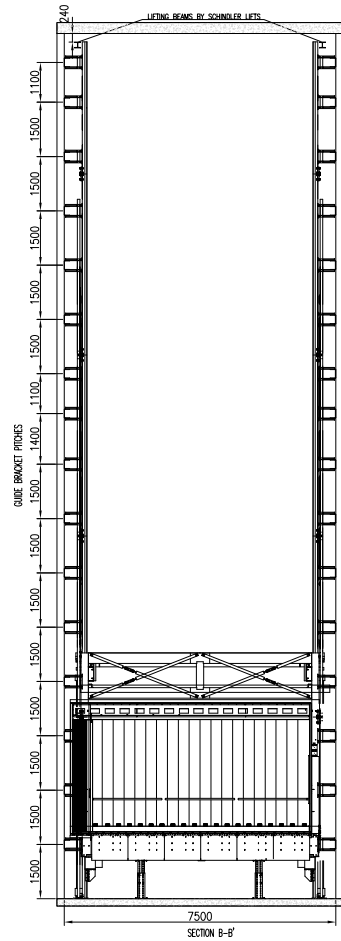
### Applicable standards

EN81-2  
EN81-28  
EN81-73



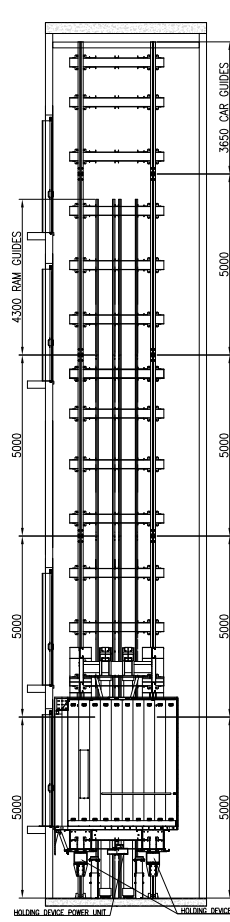


SECTION A-A'  
RAM FULLY COMPRESSED

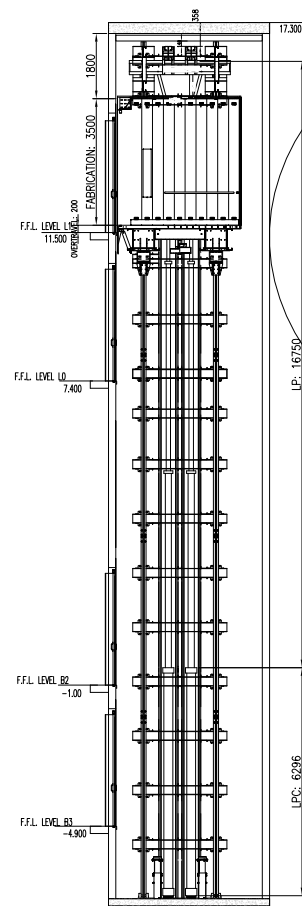


SECTION B-B'

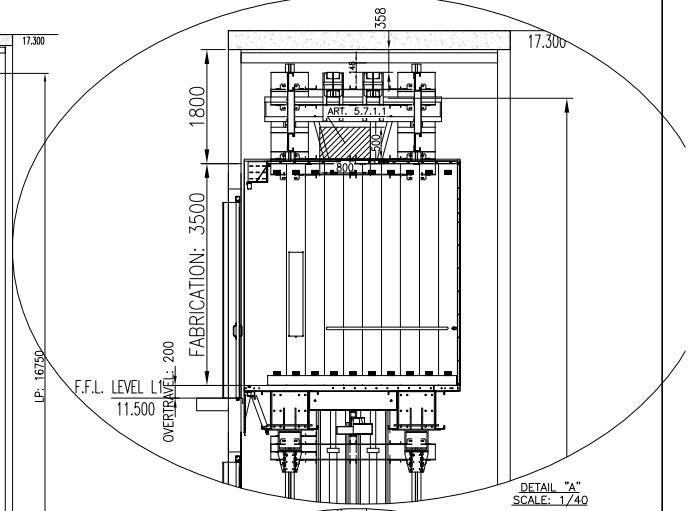
SCALE: 1/70



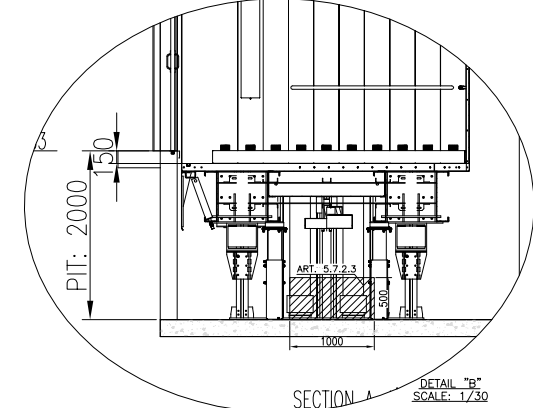
SECTION A-A'  
RAM WITH CAR AT FLOOR "B3"



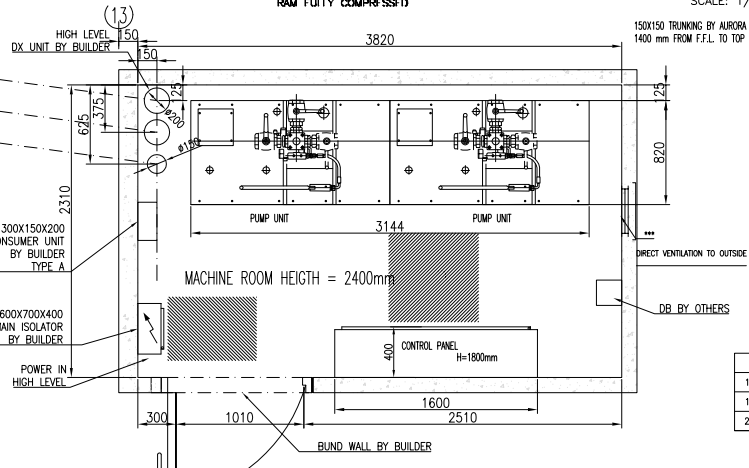
SECTION A-A'  
RAM FULLY EXTENDED



DETAIL "A"  
SCALE: 1/40



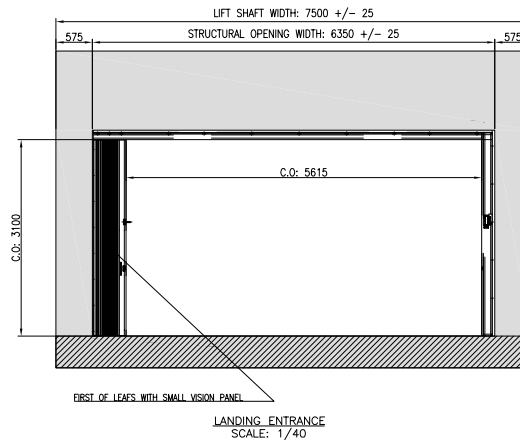
SECTION A-A'  
SCALE: 1/30



\* NOTE:  
ART. 6.3.1.3  
MACHINE ROOMS SHALL BE SO CONSTRUCTED TO WITHSTAND THE LOADS AND FORCES TO WHICH THEY ARE INTENDED TO BE SUBJECTED. THEY SHALL BE IN DURABLE MATERIAL NOT FAVOURING THE CREATION OF DUST.  
ART. 6.3.1.2  
ROOM FLOORS SHALL BE OF NON-SLIP MATERIAL, E.G. TROWELED CONCRETE, CORRUGATED IRON.  
ART. 6.3.3.1  
THE MACHINE ROOM DOOR: DIMENSIONS 1010x2110

EN 81-2	
1	6.3.2.1 SECTION a POINT-1
1	6.3.2.1 SECTION a POINT-2
2	6.3.2.1 SECTION b

MACHINE ROOM  
SCALE: 1/40



LANDING ENTRANCE  
SCALE: 1/40

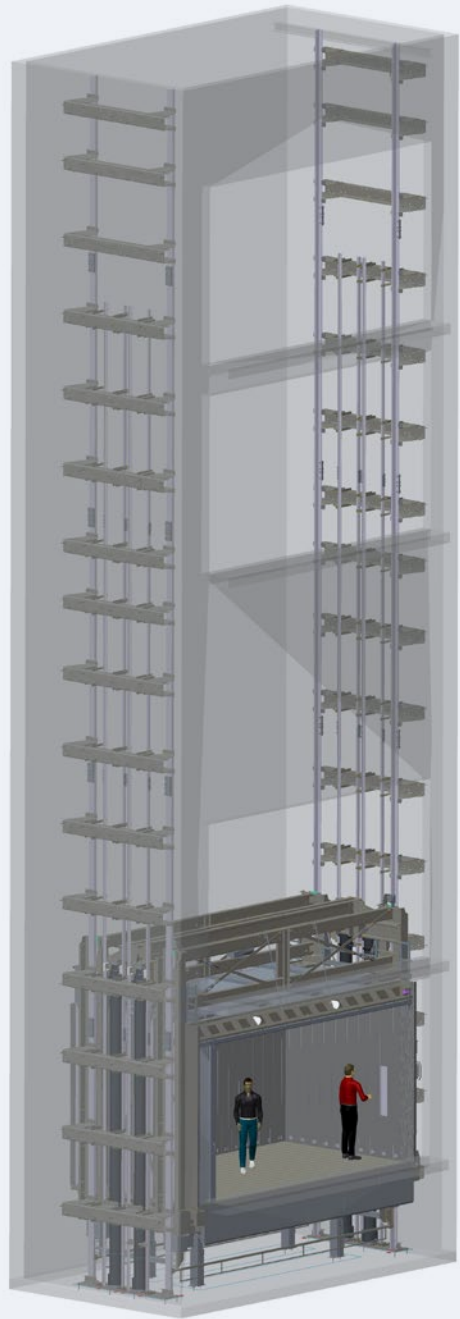
PRELIMINARY

REV	DESCRIPTION	DATE
02	REVERSED HAND GATES PUMP ROOM DETAIL ADDED	18.08.15
01	STRUCTURAL OPENINGS REVISED PUSHES/INDICATORS REVISED TANK UNITS REPOSITIONED	10.07.15

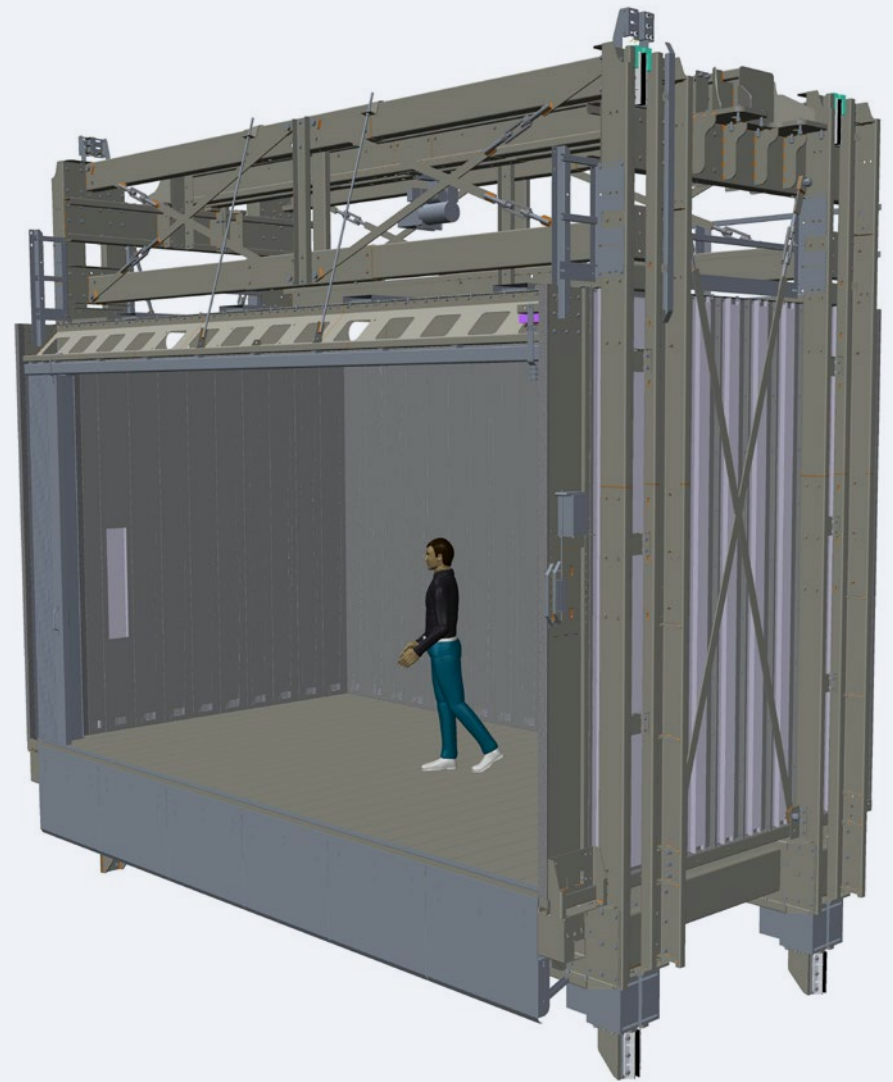
DATE		NAME	
DRAWING	21.03.15	LHERRERA	
APPROVED	23.03.15	J. GOMEZ	
SCALES	1/20	V & A MUSEUM ARTS LIFT	CODE
			AP_TM_01734_14_1
		GENERAL ARRANGEMENT ELEVATION	CANCEL TO
		ORG N°. 070526-02	AP_RM_61734_14_1
			CANCEL BY
			LHERRERA
			DATE REV
			11.09.15
			REV
			02

DOCUMENT N°. SCH-70526-002





3D CREO File



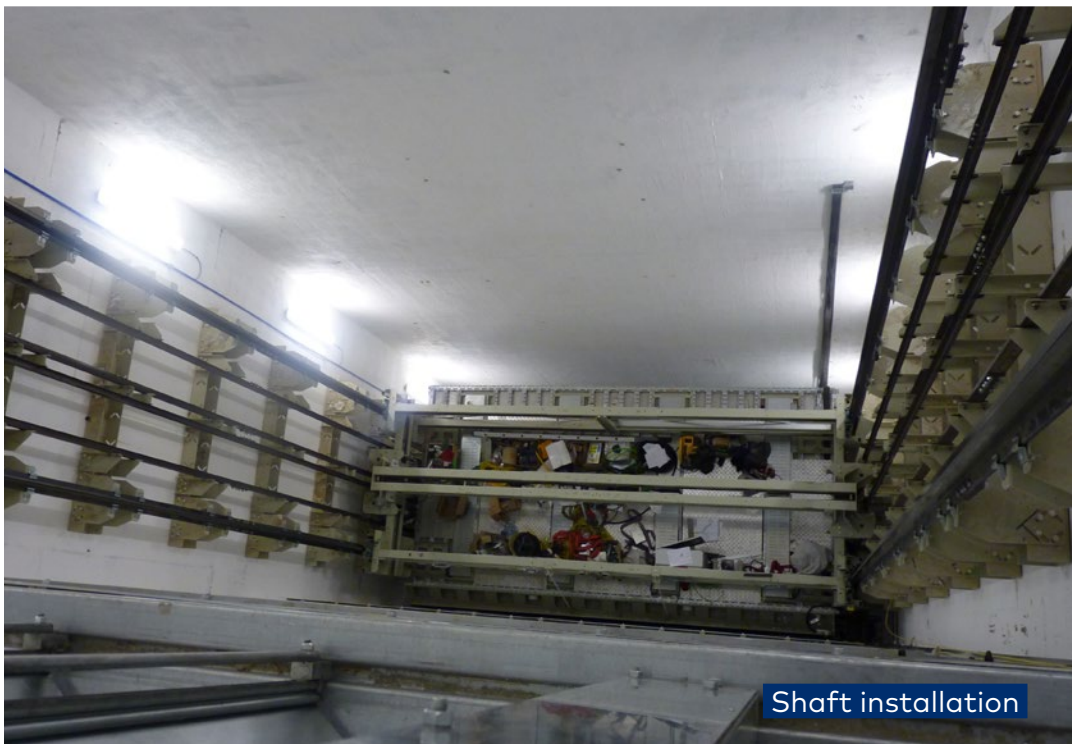
3D CREO File



Car pre-installation at the factory



Car pre-installation at the factory



Shaft installation



Shaft installation



# The Battersea Power Station

As part of our supplies to Schindler UK, we were requested to provide another special lift in the Battersea Power Station complex. Before we have already supplied some other units, most of them scenic lifts, but on this occasion the challenge was very difficult: A traction lift with a Norm Exception which had to be for a 4900 Kg in a car of 4200X7300 mm.

We provided a solution which beat other options, where we designed a traction lift for the duty load but with the strength and components of a 9 Tons.



We worked from the beginning with the Notified Body AENOR which tested the lift under commissioning and issued the certificate for leaving the lift in service. To be able to certify this installation, as a risk analysis, we provided a solution that includes a safety gear for  $Q=10530\text{kg}$ , but the rest of the lift (counterweight, machine, bedplate, diverter sheaves and control correspond to  $Q=4900\text{kg}$ ). The safety gear can be activated by the OSG's A3 coil, in case the lift was to be full at floor level. For example, if the lift is loaded with  $7000\text{kg}$ , the PSCM fails and the motor starts working, there may be a moment when sliding occurs, which will mean that the car will descend, increasing its nominal speed until the OSG activates the safety gear.

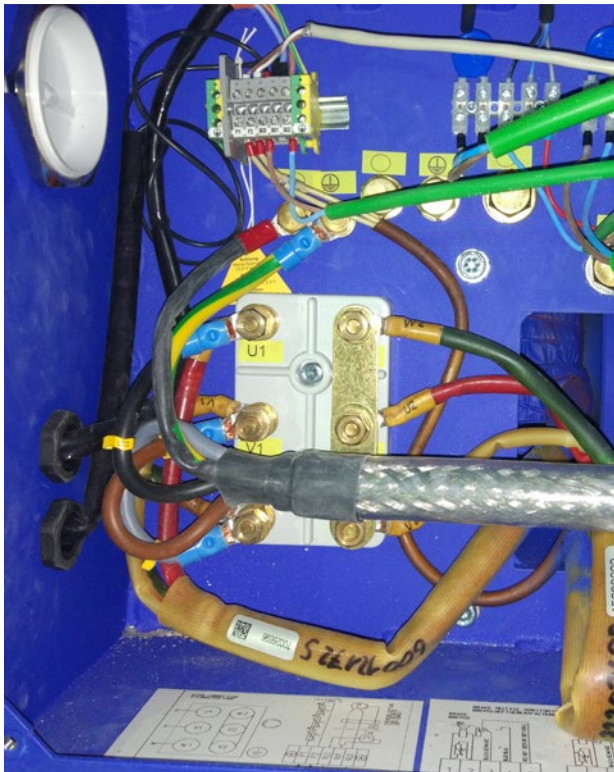
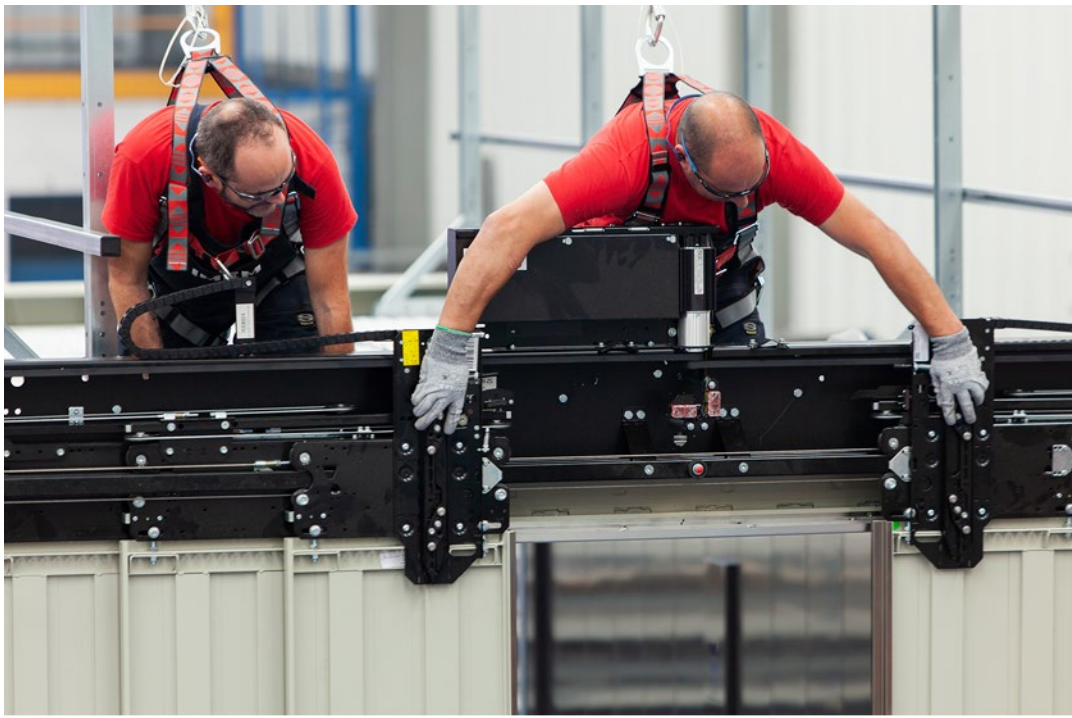
- Duty load  $4900\text{ Kg}$  (Area for  $10530\text{ Kg}$ )
- Speed  $0,5\text{ m/s}$
- 8 Stops
- Travel  $28\text{ m}$
- Doors  $2700\times 2500\text{ mm}$
- Double entrance  $180^\circ$

The lift was carefully designed, produced and installed in less than one year. Our team went to site to help in the commissioning and final adjustment on February 2020.

The lift was also used for beneficial use during the rest of the works of the building.







# Technical data

## ROPING RATIO

4:1

## LOAD CAPACITY

4900 KG

## LOAD CAPACITY

10650 KG

## TRAVEL DISTANCE

27775 mm

## NUMBER OF STOPS

8/9

## SPEED

0.5 m/s

## LIFT CAR

XL SERIES

- Dimensions: 2765x6450x2500 mm
- Panels: reinforced steel
- Cops pushes: Schindler type
- Safety edge: cedes

## LIFT CAR FRAME

BATT

- Roping ratio: 4:1

## MAIN CHARACTERISTICS

P+Q 8500+4900

- Max speed: 0.5 m/s
- Max passenger load: 65 persons
- Max duty load: 4900 kg

## CAR GUIDE RAILS

- Maker: SAVERA
- Type: 4XT140-1/B

## MACHINE

- Maker: ZIEHL ABEGG
- Model: SM250.100C
- Power: 29 kw
- Starting current (SS): 120
- Running current: 65

## LANDING DOORS

- Type: WITTUR
- Clear opening: 2700X2500
- Tracks: 5615X3000 mm
- Maker: reinforced steel

## LIFT CAR DOORS

- Type: BOLTON
- Clear opening: 2700X2500 mm
- Tracks: 5615X3000 mm
- Maker: reinforced steel

## SAFETY GEAR

- Maker: COBIANCHI PC100D-4 • Guide rails installation

## BUFFERS

- Model: ACLA
- Number: 300.402
- Max.Strentgh: 4
- Yes: 20 KN

## PAWL DEVICE

- No
- Dimensioned for not using it
- Avoiding overloading problems

## VOLTAGE

- 415 VAC 50HZ
- 220 VAC 50HZ

## SHAFT LIGHTING VOLTAGE

- Yes

## CONTROL SYSTEM

Maker: Altamira

## APLICABLE STANDARDS

- EN81-20
- EN81-28
- EN81-73







## Here East IBC Building Duplex

Located at the centre of East London's most dynamic neighbourhood, the Here East Technology Innovation Centre has required two props lifts for its auditorium.

# The lift systems

## LIFT TYPE

2 x 6000 Kg hydraulic lifts, with through entrance.

## LOAD CAPACITY

6000 KG

## TRAVEL DISTANCE

11 m / 13 m

## NUMBER OF STOPS

4 / 5

## SPEED

0.62 m/s

## LIFT CAR DOORS

SELCOM WITTUR  
 - 3000 (w) x 3500 (h) mm

